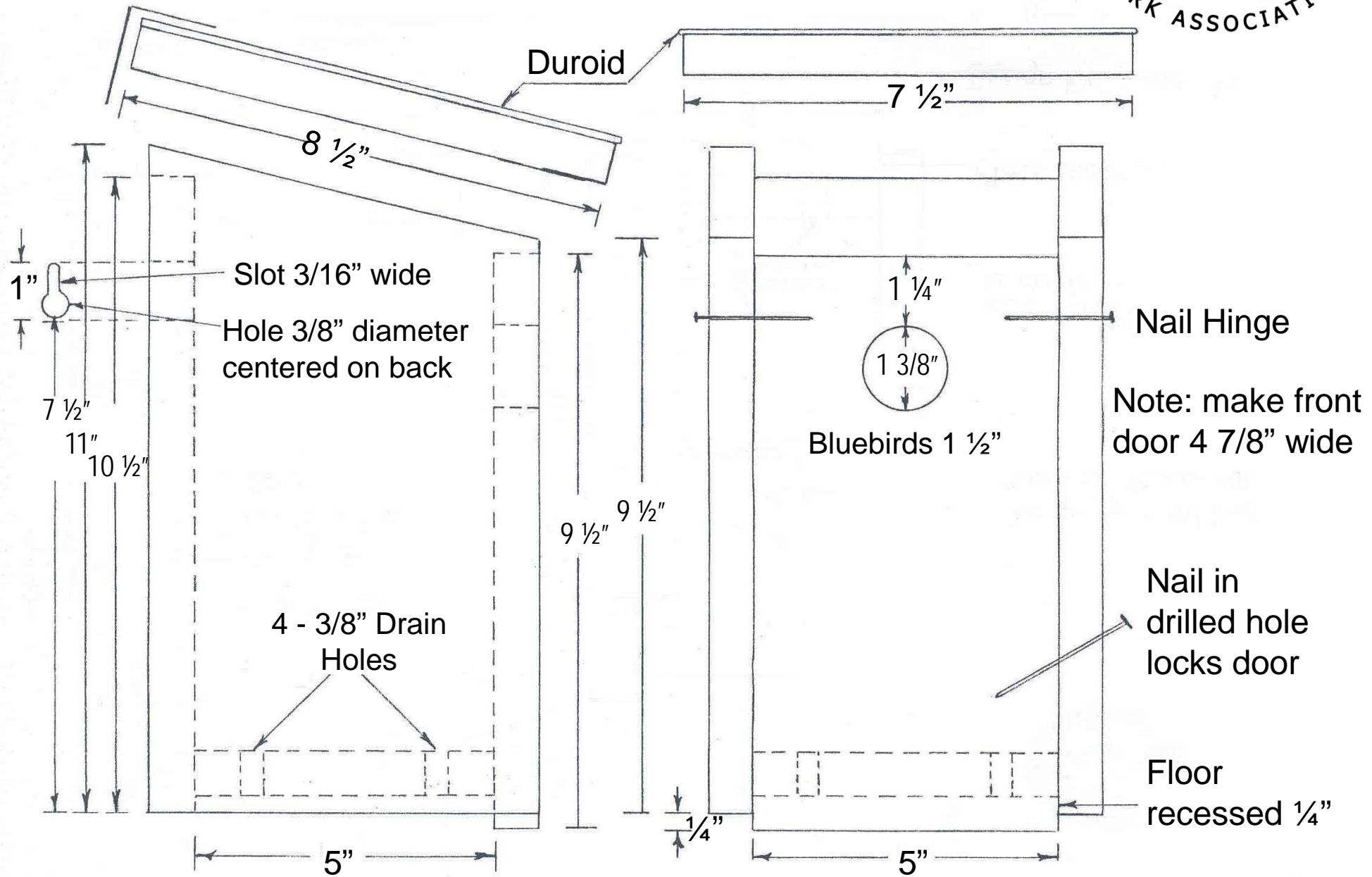
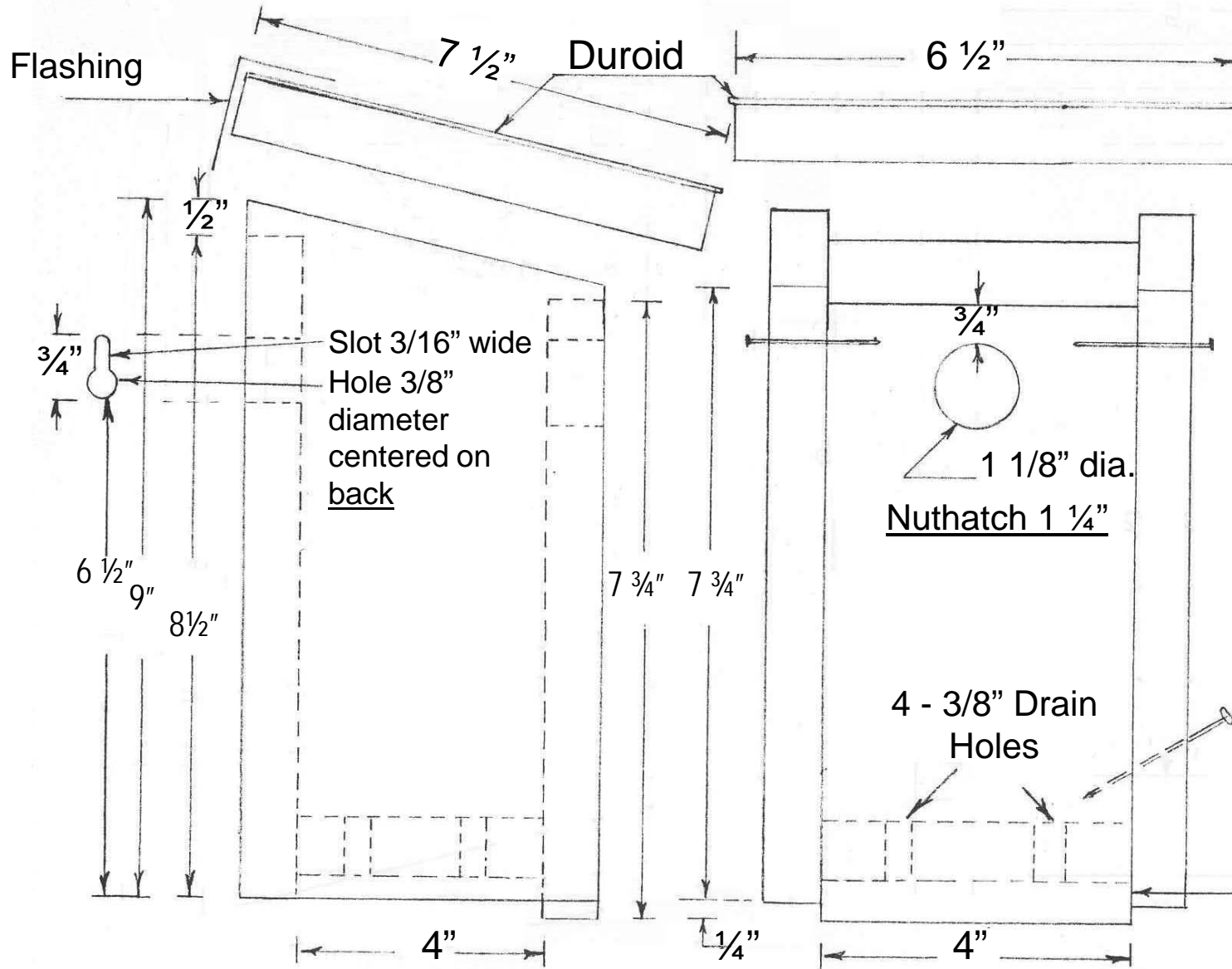


NEST BOX FOR SWALLOWS AND BLUEBIRDS



Design by J. Sadowski - Revised 2010
(not to scale)

NEST BOX FOR WRENS, CHICKADEES AND NUTHATCHES



Note: make front door 3 7/8" wide

Nail acts as hinge *

Use galvanized box nails 1 3/4" to assemble

Lock Pin (Nail) use drilled hole

Floor recessed 1/4"

* Cedar recommended

Design by J. Sadowski -
Revised 2010
(not to scale)