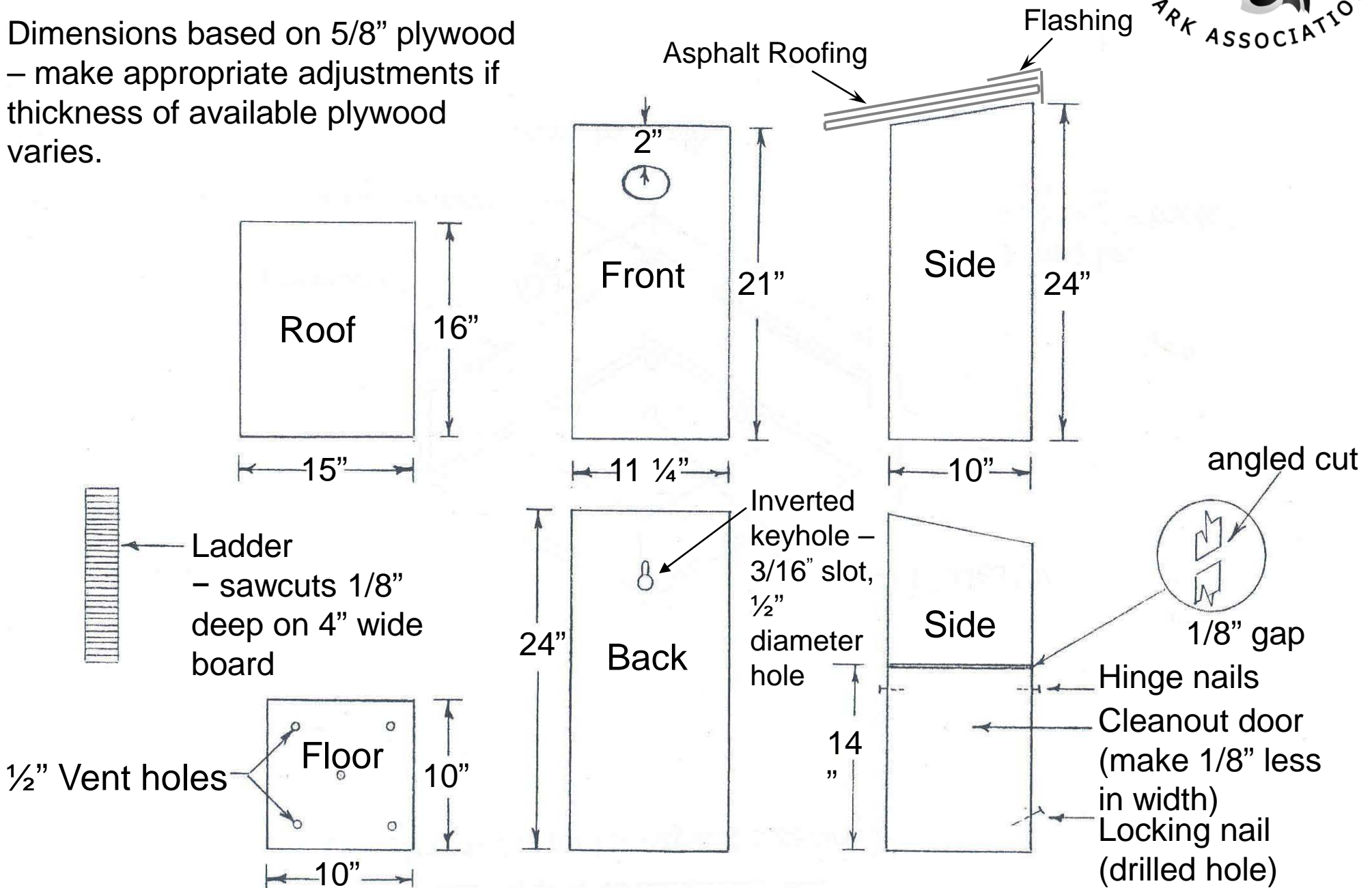


DUCK NEST BOX WITH DRAWER



Dimensions based on 5/8" plywood
 – make appropriate adjustments if
 thickness of available plywood
 varies.



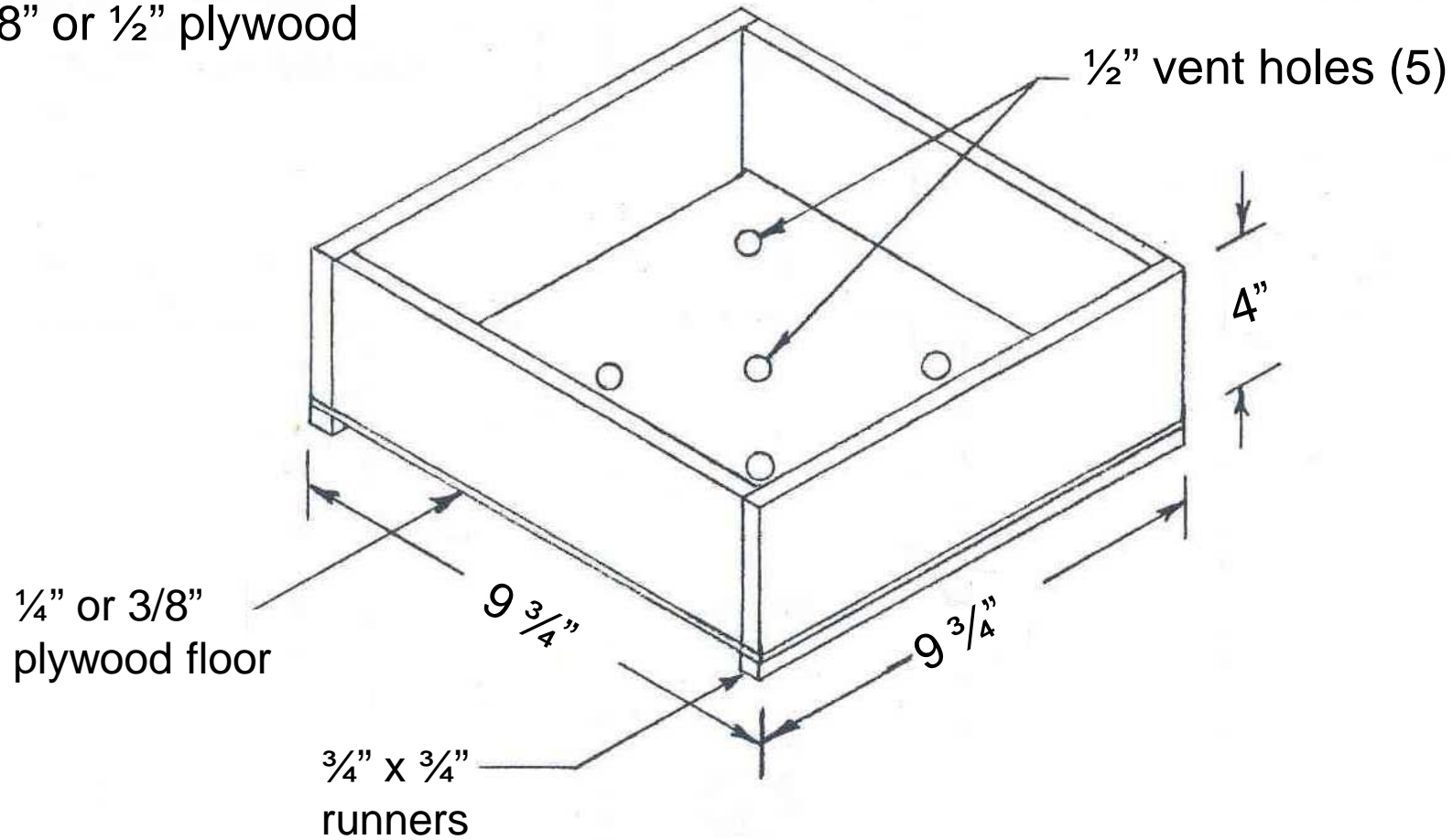
Design by J. Sadowski - Revised 2010
 (not to scale)



TRAY FOR DUCK BOX

(Facilitates monitoring and cleaning)

Sides may be
3/8" or 1/2" plywood



(not to scale)